



CAPACITY	kg	DIVISION (g)	NET WEIGHT (kg)
	6	e=0.1	3.9
	15	e=0.2	3.9
	30	e=0.5	3.9

C3 APPROVED - 3000 division - MULTIRANGE

	3/6	e=1/2
	6/15	e=2/5
	15/30	e=5/10

DESCRIPTION

- Stainless steel plate.
- RS232 output for connection to PC or external printer.
- 6-digit backlit LCD display (24 mm height).
- 7-key waterproof keyboard.
- Bubble level and adjustable feet.
- 6 V rechargeable internal battery, 4 Ah capacity.
- Operating time: 70 hours.
- External battery charger 100-240 VAC included.
- Auto power-off.

MAIN FUNCTIONS

- Piece counting with sequence display of: number of pieces, average unit weight, total weight of the pieces on the scale.
- Automatic/manual totalization of the weighings.
- Weight indication as a percentage.
- Weight/pieces/percentage checking (HIGH/LOW) with acoustic and visual alarm.
- Receipt printing via STAVT II external printer: customizable header, date, time, net weight, average unit weight, number of pieces on the scale, total weight, total number of pieces.

CERTIFICATIONS



OIML R76:2006, class III, 3000 divisions



Equivalent of the CE marking for the United Kingdom

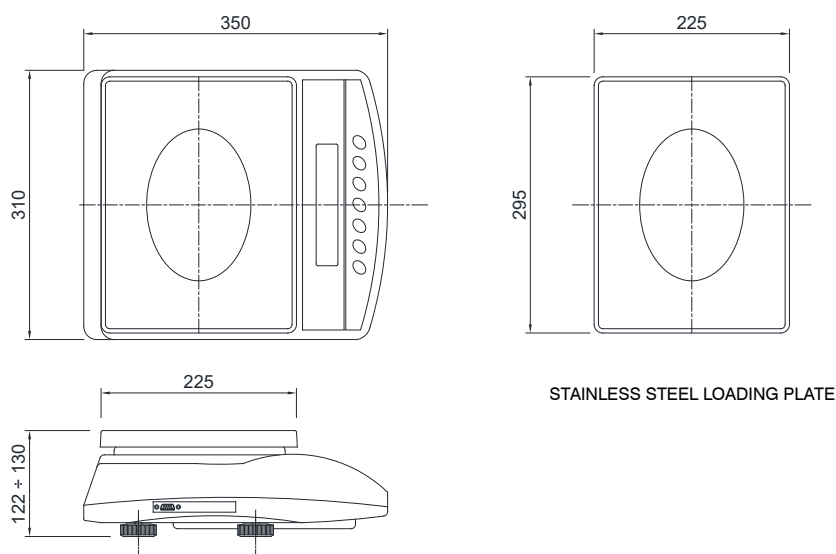
CERTIFICATIONS ON REQUEST

Calibration report



Conformity assessment (initial verification)




DIMENSIONS (mm)



TECHNICAL FEATURES

Power supply	100-240 VAC
Internal battery	6 V, 4 Ah capacity
Linearity	<0.01% full scale
Display resolution	60000
Units of measure	g, kg
Serial port	RS232
Baud rate	2400, 4800, 9600, 19200 (bit/s)
Humidity (condensate free)	<85%
Storage temperature	-10 °C +50 °C
Working temperature	-10 °C +40 °C

OPTIONS ON REQUEST

	DESCRIPTION	CODE
	Stainless steel deep tray. Dimensions: 230x300x40 mm.	PIATTOBAC
	Rechargeable battery 6 V, 4.5 Ah capacity.	
	Desktop thermal printer.	STAVTII

The Company reserves the right to make changes to the technical data, drawings and images without notice.