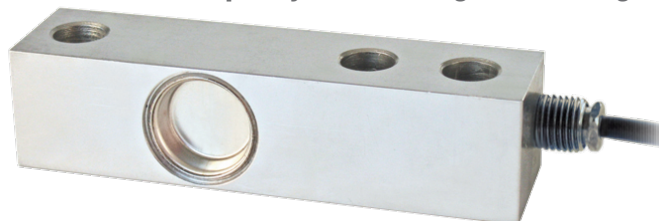




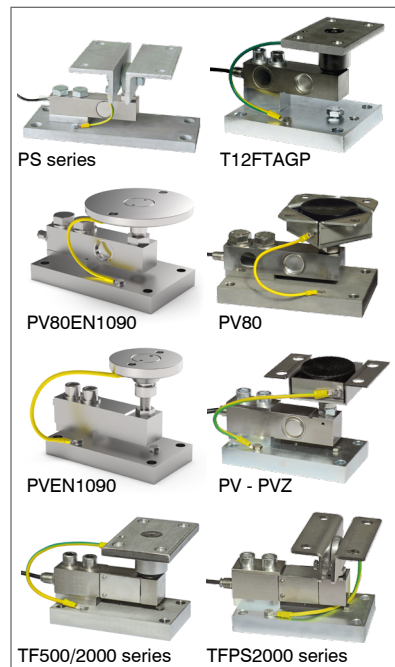
BENDING BEAM: capacity from 75 kg to 300 kg



SHEAR BEAM: capacity from 500 kg to 10000 kg



MOUNTING KITS



- AISI 420 STAINLESS STEEL
- COMBINED ERROR $\leq \pm 0.02\%$
- IP67 - IP68 PROTECTION RATING

CAPACITY	kg	ACCURACY CLASS C3	NET WEIGHT (kg)
	75	•	0.9
	150	•	0.9
	300	•	0.9
	500	•	0.9
	750	•	0.9
	1000	•	0.9
	1500	•	0.9
	2000	•	0.9
	3000	-	1.6
	5000	-	1.6
	10000	-	3.8

CERTIFICATIONS



OIML R60 C3



Complies with the Eurasian Customs Union regulations



Equivalent of the CE marking for the United Kingdom

CERTIFICATIONS ON REQUEST



Declaration of conformity + IP69K marking protection rating

Water protection in case of high-pressure or steam jet cleaning (test: pressurized water is sprayed from a distance of max 150 mm)
Water pressure: 100 bar; temperature: 80 °C; test duration: 250 seconds (reference standard: DIN 40050-9)

Calibration report

LAT Accredia calibration certificate ISO 376 or ASTM E74 for capacities from 1000 kg to 10000 kg



ATEX (zone 2-22)



ATEX (zone 1-21)



IECEx (zone 1-21)



Complies with the Eurasian Customs Union regulations for use in potentially explosive atmospheres

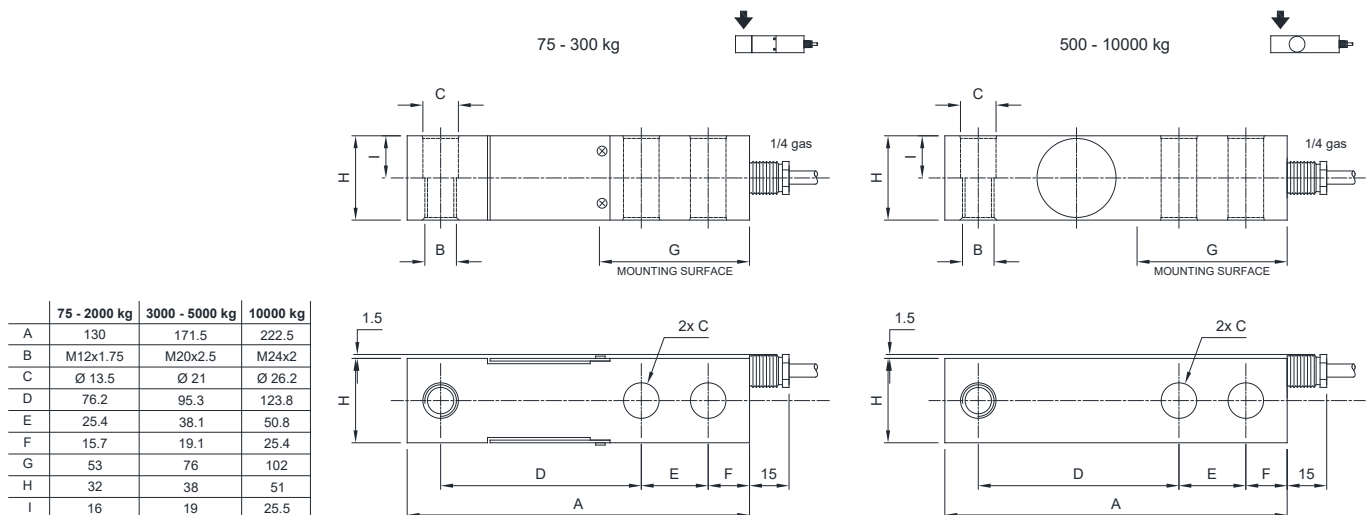


Complies with Chinese market regulations for use in potentially explosive atmospheres



Complies with Chinese market regulations for legal for trade use

DIMENSIONS (mm)



For the load cell fixing screws, provide the tightening torque indicated in the table

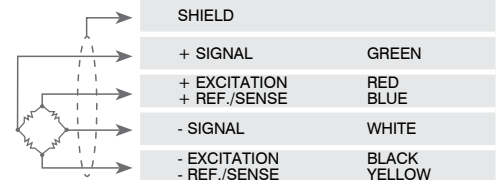
Screw	M12		M20		M24	
	6.8	8.8	6.8	8.8	6.8	8.8
Tightening torque	50 Nm	79 Nm	290 Nm	400 Nm	500 Nm	690 Nm

TECHNICAL FEATURES

Material	AISI 420 stainless steel		
OIML R60 Accuracy class • Verification intervals	C3 • 3000		-
Nominal load (E max)	75 - 150 - 300 - 500 - 750 1000 - 1500 - 2000 kg	3000 - 5000 - 10000 kg	
Minimum verification interval (V min)	E max / 15000		-
Combined error	≤ ±0.02%		
Protection rating	IP67 (75 - 300 kg), IP68 (500 - 10000 kg)		
Input resistance	385 Ω ±10	400 Ω ±15	
Output resistance	350 Ω ±3	350 Ω ±5	
Rated output	2 mV/V ±0.4%	Max supply voltage without damage	15 V
Temperature effect on zero	0.002% °C	Zero balance	±2%
Temperature effect on span	0.0012% °C	Insulation resistance	≥5000 MΩ
Compensated temperature range	-10 °C / +40 °C	Safe overload (% of full scale)	150%
Operating temperature range	-20 °C / +70 °C	Ultimate overload (% of full scale)	200%
Creep at nominal load in 30 minutes	0.03%	Deflection at nominal load	0.4 mm

ELECTRICAL CONNECTIONS

Cable length	5 m (75-5000 kg); 10 m (10000 kg)
Cable diameter	5 mm
Cores	6 x 0.25 mm ²



The Company reserves the right to make changes to the technical data, drawings and images without notice.