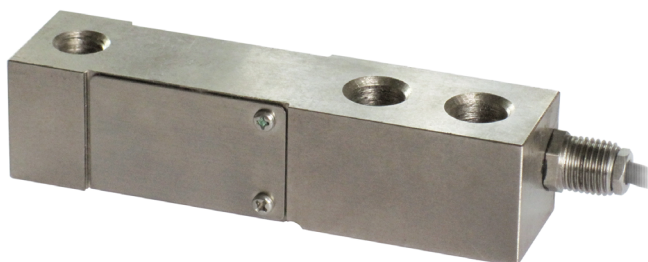




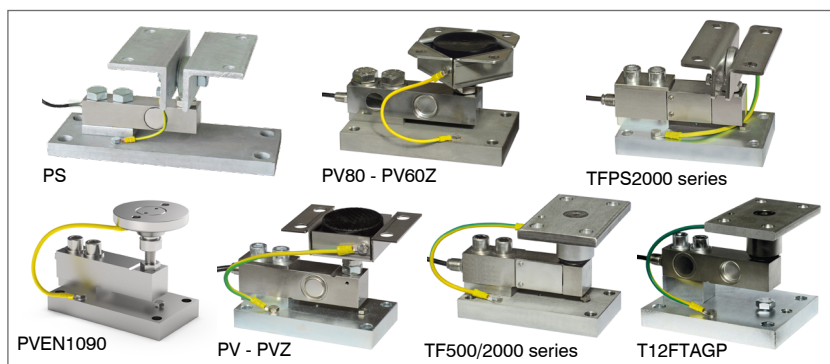
BENDING BEAM: capacity from 75 kg to 300 kg

SHEAR BEAM: capacity from 500 kg to 5000 kg



MOUNTING KITS

- AISI 4340 NICKEL PLATED STEEL
- COMBINED ERROR $\leq \pm 0.02\%$
- IP67 - IP68 PROTECTION RATING



CAPACITY	kg	ACCURACY CLASS C3	NET WEIGHT (kg)
	75	-	1
	150	-	1
	300	-	1
	500	-	1
	1000	•	1.1
	2000	•	1.1
	3000	•	1.1
	5000	•	1.1

CERTIFICATIONS



OIML R60 C3



Complies with the Eurasian Customs Union regulations



Equivalent of the CE marking for the United Kingdom

CERTIFICATIONS ON REQUEST

Calibration report

LAT Accredia calibration certificate ISO 376 or ASTM E74 for capacities from 1000 kg to 10000 kg



ATEX (zone 2-22)

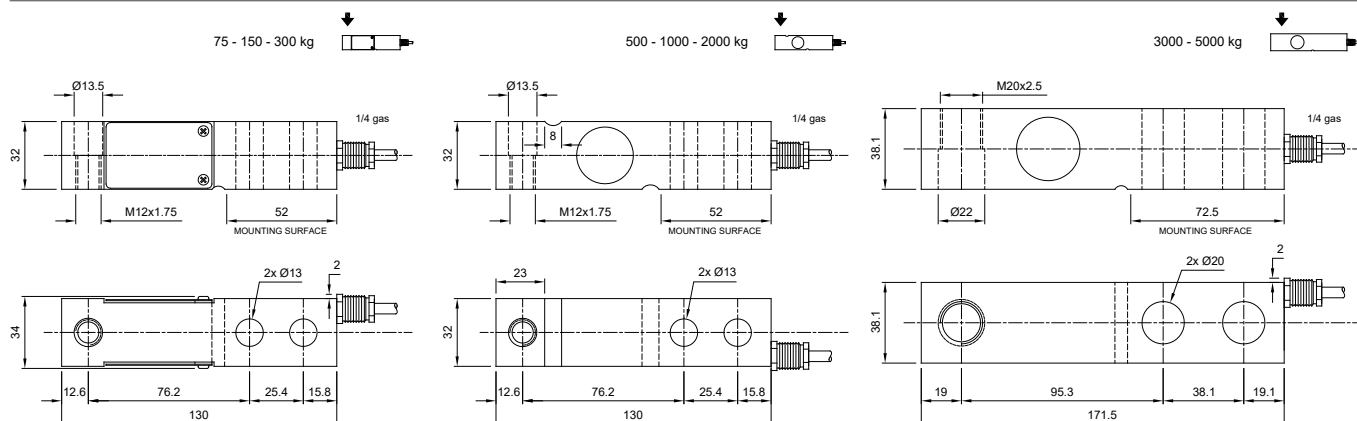


Complies with the Eurasian Customs Union regulations for use in potentially explosive atmospheres



Complies with Chinese market regulations for use in potentially explosive atmospheres

DIMENSIONS (mm)



For the load cell fixing screws, provide the tightening torque indicated in the table

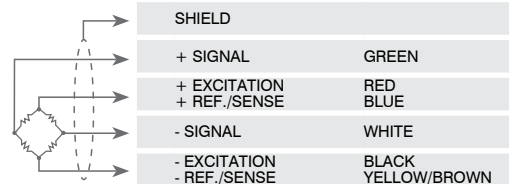
Screw	M12		M20	
	6.8	8.8	6.8	8.8
Tightening torque	50 Nm	79 Nm	290 Nm	400 Nm

TECHNICAL FEATURES

Material	AISI 4340 nickel plated steel		
OIML R60 Accuracy class • Verification intervals	-	C3 • 3000	
Nominal load (E max)	75 -150 - 300 - 500 kg	1000 - 2000 - 3000 - 5000 kg	
Minimum verification interval (V min)	-	E max / 12000	
Combined error	≤ ±0.02%		
Protection rating	IP67 (75 - 300 kg), IP68 (500 - 5000 kg)		
Rated output	2 mV/V ±0.1%	Input resistance	400 Ω ±10
Temperature effect on zero	0.002% °C	Output resistance	352 Ω ±2
Temperature effect on span	0.0012% °C	Zero balance	±2%
Compensated temperature range	-10 °C / +40 °C	Insulation resistance	≥5000 MΩ
Operating temperature range	-20 °C / +70 °C	Safe overload (% of full scale)	150%
Creep at nominal load in 30 minutes	0.03%	Ultimate overload (% of full scale)	250%
Max supply voltage without damage	15 V	Deflection at nominal load	0.6 mm

ELECTRICAL CONNECTIONS

Cable length	6 m
Cable diameter	5 mm
Cores	6 x 0.24 mm ²



COMPLEMENTARY ACCESSORIES

DESCRIPTION	CODE
<p>Special steel block for capacities up to 2000 kg.</p>	PIASTRINO

The Company reserves the right to make changes to the technical data, drawings and images without notice.