



CAPACITY	kg	DIVISION (g)	NET WEIGHT (kg)
6		e=0.2	2.8
15		e=0.5	2.8
30		e=1	2.8

DESCRIPTION

- Stainless steel plate.
- 6-digit backlit LCD display (30 mm height).
- 8-key waterproof keyboard.
- Bubble level and adjustable feet.
- 4 V rechargeable internal battery, 4 Ah capacity.
- Operating time: 70 hours.

MAIN FUNCTIONS

- Weight indication.
- Piece counting.
- Weight indication as a percentage.
- RS232 output for connection to PC.

CERTIFICATIONS

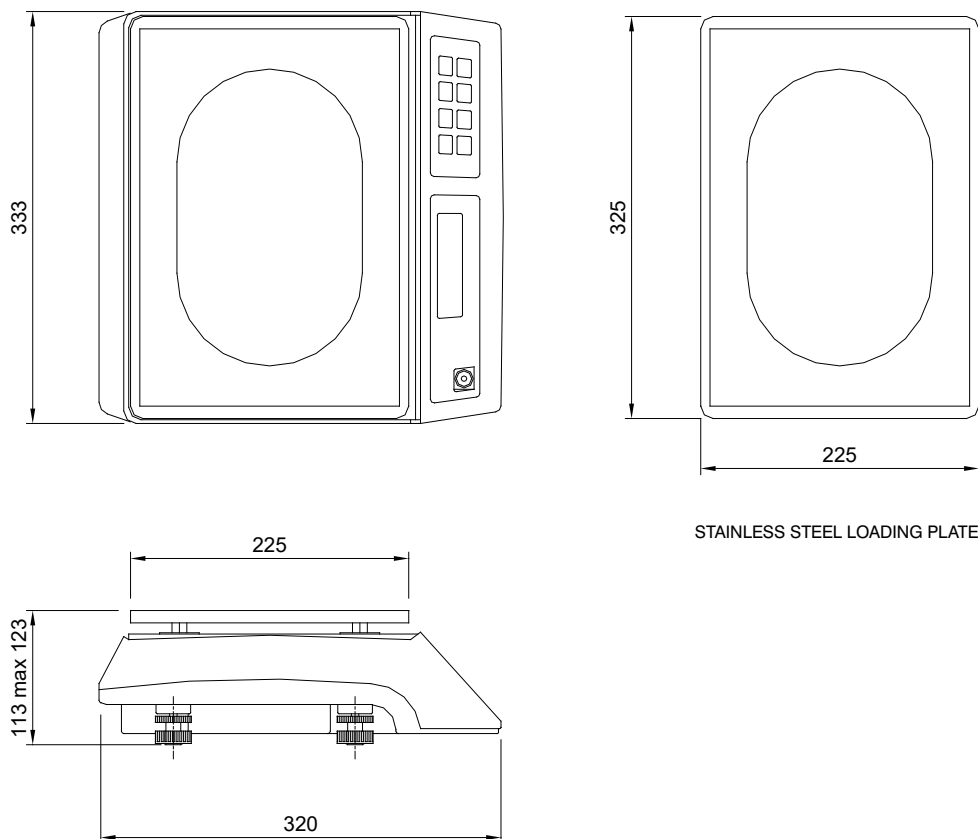


Equivalent of the CE marking for the United Kingdom

CERTIFICATIONS ON REQUEST

Calibration report

DIMENSIONS (mm)



TECHNICAL FEATURES

Power supply	230 VAC \pm 10%
Internal battery	4 V, 4 Ah capacity
Linearity	<0.01% full scale
Display resolution	30000
Units of measure	kg, lb
Serial port	RS232
Baud rate	1200, 2400, 4800, 9600 (bit/s)
Humidity (condensate free)	<85%
Storage temperature	-10 °C +50 °C
Working temperature	0 °C +40 °C