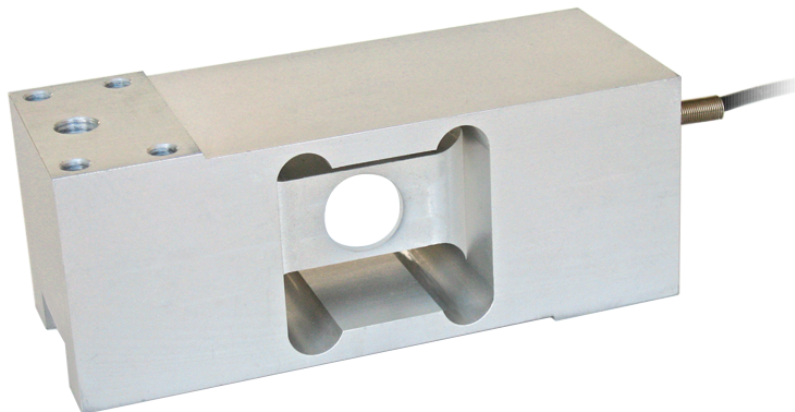




Manufactured according to OIML R60 standards

Capacity from 500 kg to 1000 kg



- ALUMINUM ALLOY
- COMBINED ERROR $\leq \pm 0.05\%$
- IP65 PROTECTION RATING

CAPACITY	kg	PLATFORM (mm)	NET WEIGHT (kg)
	500	800 x 800	2.2
	1000	800 x 800	2.3

CERTIFICATIONS

EAC Complies with the Eurasian Customs Union regulations

UK Equivalent of the CE marking for the United Kingdom

CERTIFICATIONS ON REQUEST

Calibration report

LAT Accredia calibration certificate ISO 376 or ASTM E74 for capacities from 1000 kg to 10000 kg

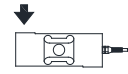
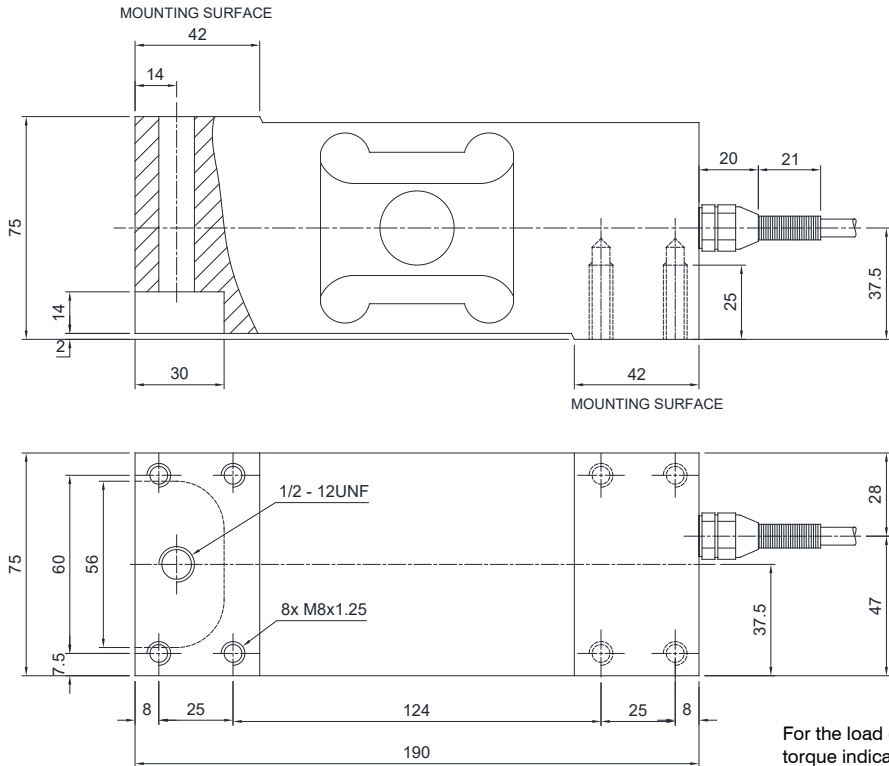
Ex ATEX (zone 2-22)

EAC Ex Complies with the Eurasian Customs Union regulations for use in potentially explosive atmospheres

Ex NEPSA Complies with Chinese market regulations for use in potentially explosive atmospheres

SINGLE-POINT LOAD CELL for platforms 800x800 mm

DIMENSIONS (mm)



For the load cell fixing screws, provide the tightening torque indicated in the table

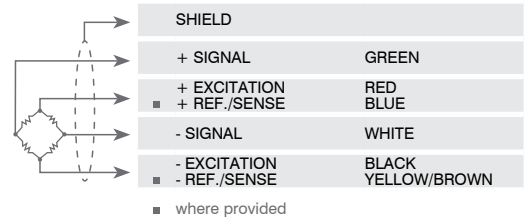
Screw	M8	
	Screw class	6.8
Tightening torque	19 Nm	25 Nm

TECHNICAL FEATURES

Material	Aluminum alloy		
Nominal load (E max)	500 - 1000 kg		
Combined error	≤ ±0.05%		
Protection rating	IP65		
Rated output	2 mV/V ±10%	Input resistance	410 Ω ±10
Temperature effect on zero	0.0025% °C	Output resistance	350 Ω ±3
Temperature effect on span	0.0025% °C	Zero balance	±2%
Compensated temperature range	-10 °C / +40 °C	Insulation resistance	>2000 MΩ
Operating temperature range	-20 °C / +60 °C	Safe overload (% of full scale)	120%
Creep at nominal load in 30 minutes	0.03%	Ultimate overload (% of full scale)	200%
Max supply voltage without damage	15 V	Deflection at nominal load	0.5 mm

ELECTRICAL CONNECTIONS

Cable length	3 m
Cable diameter	5 mm
Cores	4/6 x 0.20 mm ²



The Company reserves the right to make changes to the technical data, drawings and images without notice.