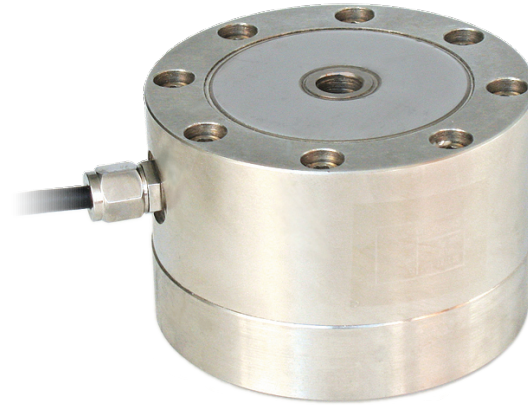




Manufactured according to OIML R60 standards

Capacity from 10000 kg to 20000 kg



- SPECIAL STEEL
- BIDIRECTIONAL TENSION AND COMPRESSION
- COMBINED ERROR  $\leq \pm 0.1\%$
- IP67 PROTECTION RATING

| CAPACITY | kg    | NET WEIGHT (kg) |
|----------|-------|-----------------|
|          | 10000 | 10.5            |
|          | 20000 | 11              |

### CERTIFICATIONS

**EAC** Complies with the Eurasian Customs Union regulations

**UK CA** Equivalent of the CE marking for the United Kingdom

#### CERTIFICATIONS ON REQUEST

Calibration report

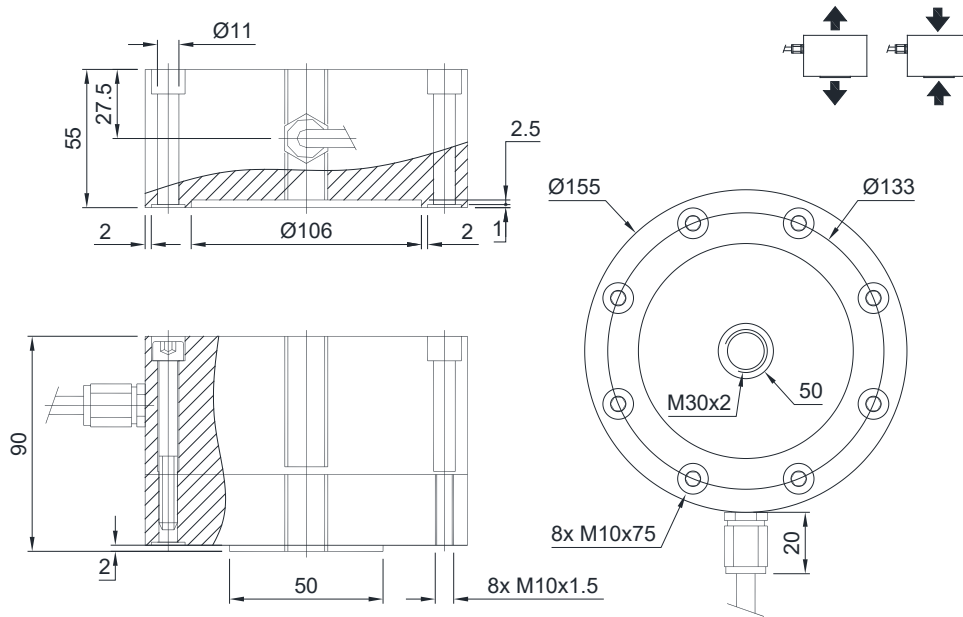
LAT Accredia calibration certificate ISO 376 or ASTM E74 for capacities from 1000 kg to 10000 kg

**Ex** ATEX (zone 2-22)

**EAC Ex** Complies with the Eurasian Customs Union regulations for use in potentially explosive atmospheres

**Ex NEPSA** Complies with Chinese market regulations for use in potentially explosive atmospheres

### DIMENSIONS (mm)

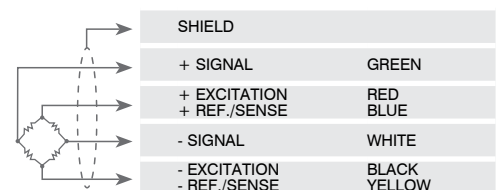


### TECHNICAL FEATURES

|                                     |                  |                                     |           |
|-------------------------------------|------------------|-------------------------------------|-----------|
| Material                            | Special steel    |                                     |           |
| Nominal load (E max)                | 10000 - 20000 kg |                                     |           |
| Combined error                      | ≤ ±0.1%          |                                     |           |
| Protection rating                   | IP67             |                                     |           |
| Rated output                        | 2 mV/V ±0.3%     | Input resistance                    | 352 Ω ±3  |
| Temperature effect on zero          | 0.002% °C        | Output resistance                   | 400 Ω ±20 |
| Temperature effect on span          | 0.002% °C        | Zero balance                        | ±1%       |
| Compensated temperature range       | -10 °C / +50 °C  | Insulation resistance               | >5000 MΩ  |
| Operating temperature range         | -30 °C / +70 °C  | Safe overload (% of full scale)     | 150%      |
| Creep at nominal load in 30 minutes | 0.03%            | Ultimate overload (% of full scale) | 200%      |
| Max supply voltage without damage   | 15 V             | Deflection at nominal load          | 0.3 mm    |

### ELECTRICAL CONNECTIONS

|                |                          |
|----------------|--------------------------|
| Cable length   | 12 m                     |
| Cable diameter | 6 mm                     |
| Cores          | 6 x 0.24 mm <sup>2</sup> |



The Company reserves the right to make changes to the technical data, drawings and images without notice.