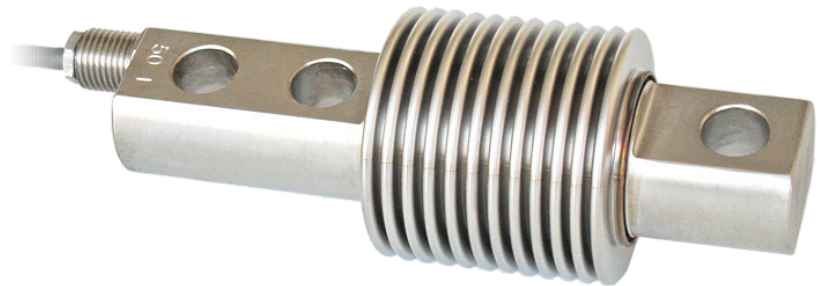


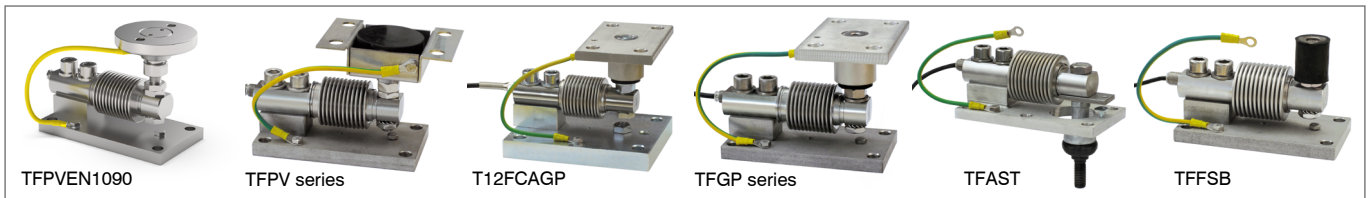


Capacity from 50 kg to 300 kg

- AISI 420 STAINLESS STEEL
- COMBINED ERROR $\leq \pm 0.017\%$
- IP68 PROTECTION RATING



MOUNTING KITS



CAPACITY	kg	ACCURACY CLASS C3	NET WEIGHT (kg)
	50	•	0.5
	75	•	0.5
	150	•	0.5
	300	•	0.5

CERTIFICATIONS

- OIML R60 C3
- Complies with the Eurasian Customs Union regulations
- Equivalent of the CE marking for the United Kingdom

CERTIFICATIONS ON REQUEST

Calibration report

- ATEX (zone 2-22)

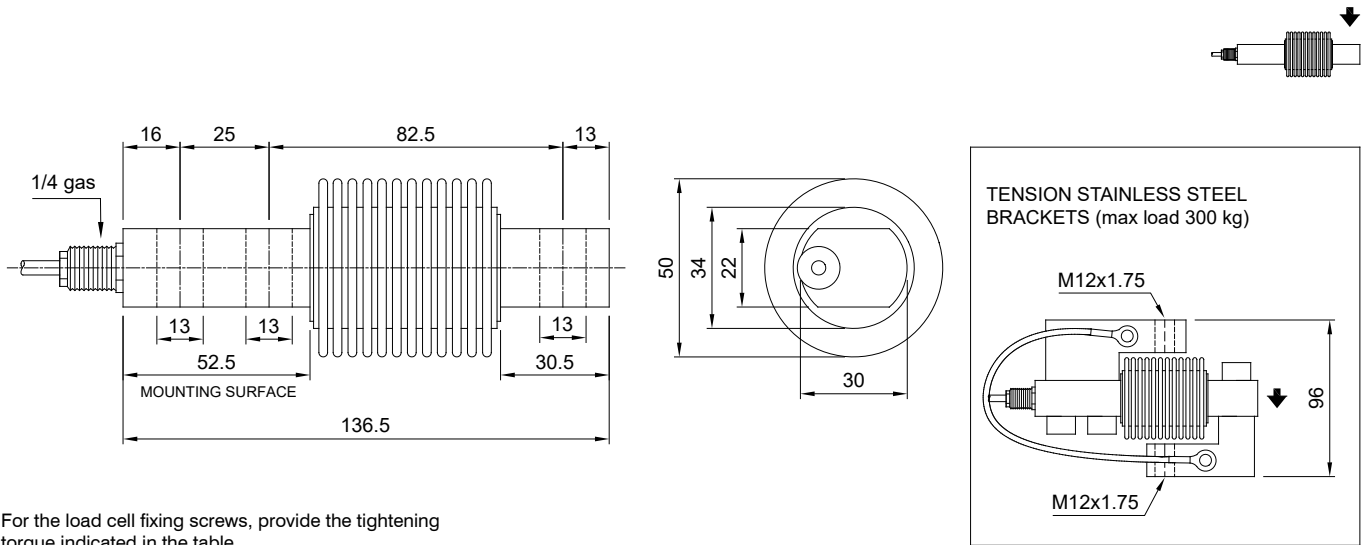
- Complies with the Eurasian Customs Union regulations for use in potentially explosive atmospheres

- Complies with Chinese market regulations for use in potentially explosive atmospheres

COMPLEMENTARY ACCESSORIES

	DESCRIPTION	CODE
	Pair of tension stainless steel brackets. Maximum static load: 300 kg	STAFFEFCA

DIMENSIONS (mm)



For the load cell fixing screws, provide the tightening torque indicated in the table

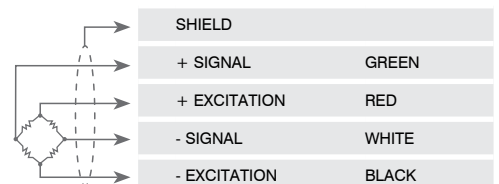
Screw	M12	
Screw class	6.8	8.8
Tightening torque	50 Nm	79 Nm

TECHNICAL FEATURES

Material	AISI 420 stainless steel		
OIML R60 Accuracy class • Verification intervals	C3 • 3000		
Nominal load (E max)	50 - 75 - 150 - 300 kg		
Minimum verification interval (V min)	E max / 10000		
Combined error	≤ ±0.017%		
Protection rating	IP68		
Rated output	2.0 mV/V ±0.1%	Input resistance	400 Ω ±20
Temperature effect on zero	0.002% °C	Output resistance	350 Ω ±3
Temperature effect on span	0.0012% °C	Zero balance	±2%
Compensated temperature range	-10 °C / +40 °C	Insulation resistance	>5000 MΩ
Operating temperature range	-20 °C / +50 °C	Safe overload (% of full scale)	150%
Creep at nominal load in 30 minutes	0.016%	Ultimate overload (% of full scale)	200%
Max supply voltage without damage	15 V	Deflection at nominal load	0.4 mm

ELECTRICAL CONNECTIONS

Cable length	3 m
Cable diameter	4 mm
Cores	4 x 0.22 mm ²



The Company reserves the right to make changes to the technical data, drawings and images without notice.