



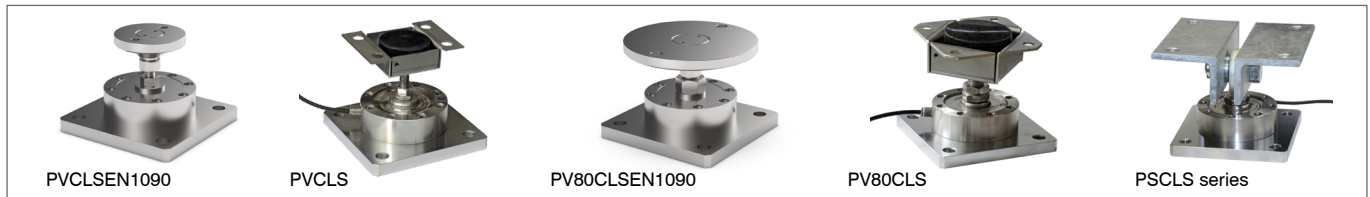
Manufactured according to OIML R60 standards

Capacity from 1000 kg to 5000 kg



- AISI 420 STAINLESS STEEL
- COMBINED ERROR $\leq \pm 0.03\%$
- IP68 PROTECTION RATING
- INTEGRATED STAINLESS STEEL LOWER PLATE

MOUNTING KITS



CAPACITY	kg	NET WEIGHT (kg)
	1000	4.1
	2000	4.1
	5000	4.1

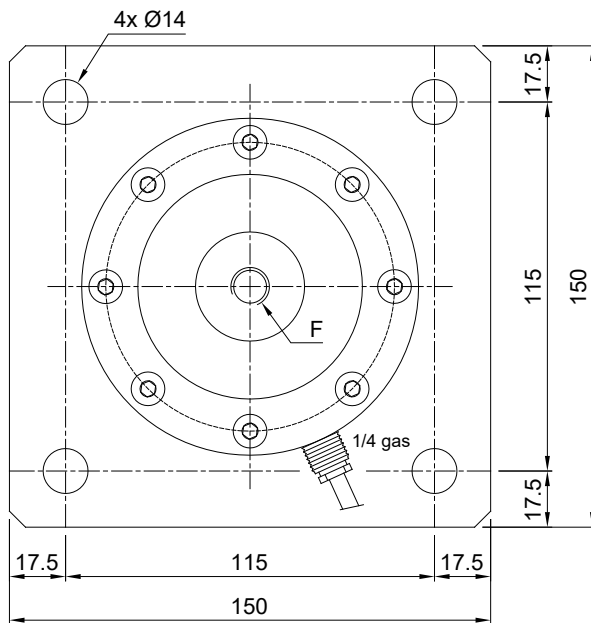
CERTIFICATIONS

- Complies with the Eurasian Customs Union regulations
- Equivalent of the CE marking for the United Kingdom

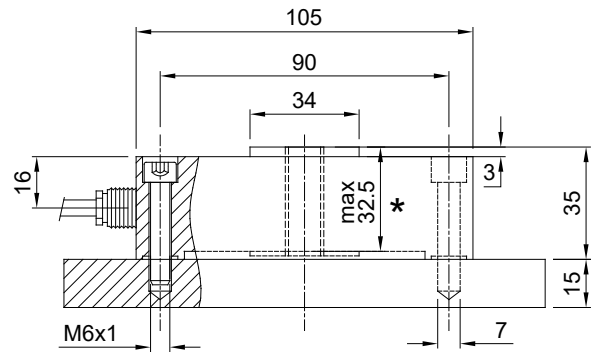
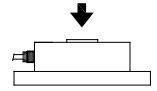
CERTIFICATIONS ON REQUEST

	Calibration report
	LAT Accredia calibration certificate ISO 376 or ASTM E74 for capacities from 1000 kg to 10000 kg
	ATEX (zone 2-22)
	Complies with the Eurasian Customs Union regulations for use in potentially explosive atmospheres
	Complies with Chinese market regulations for use in potentially explosive atmospheres

DIMENSIONS (mm)



	F
kg 1000	M12 x 1.75
kg 2000	M12 x 1.75
kg 5000	M20 x 2.5



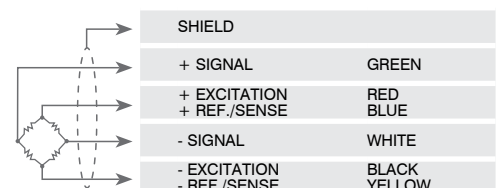
* WARNING! Max dimension to insert the bolt to allow the cell to perform properly

TECHNICAL FEATURES

Material	AISI 420 stainless steel		
Nominal load (E max)	1000 - 2000 - 5000 kg		
Combined error	≤ ±0.03%		
Protection rating	IP68		
Rated output	2 mV/V ±0.4%	Input resistance	385 Ω ±10
Temperature effect on zero	0.002% °C	Output resistance	350 Ω ±3
Temperature effect on span	0.012% °C	Zero balance	±1%
Compensated temperature range	-10 °C / +50 °C	Insulation resistance	>5000 MΩ
Operating temperature range	-20 °C / +70 °C	Safe overload (% of full scale)	150%
Creep at nominal load in 30 minutes	0.02%	Ultimate overload (% of full scale)	250%
Max supply voltage without damage	15 V	Deflection at nominal load	0.3 mm

ELECTRICAL CONNECTIONS

Cable length	10 m
Cable diameter	6 mm
Cores	6 x 0.25 mm ²



The Company reserves the right to make changes to the technical data, drawings and images without notice.