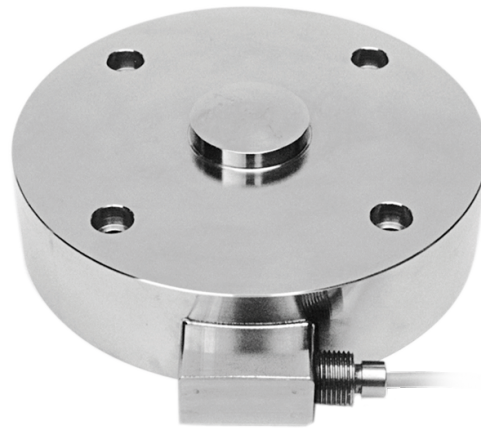




Manufactured according to OIML R60 standards

### Capacity from 200000 kg to 750000 kg

- 17-4 PH STAINLESS STEEL
- COMBINED ERROR  $\leq \pm 0.10\%$
- IP68 PROTECTION RATING



CAPACITY	kg	NET WEIGHT (kg)
200000		20
300000		42
500000		60
750000		60

### CERTIFICATIONS

- Complies with the Eurasian Customs Union regulations
- Equivalent of the CE marking for the United Kingdom

#### CERTIFICATIONS ON REQUEST

Calibration report

- ATEX (zone 2-22)

- ATEX/IECEx (zone 1-21)

- Complies with the Eurasian Customs Union regulations for use in potentially explosive atmospheres

- Complies with Chinese market regulations for use in potentially explosive atmospheres

### OPTIONS ON REQUEST

#### DESCRIPTION

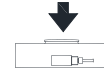
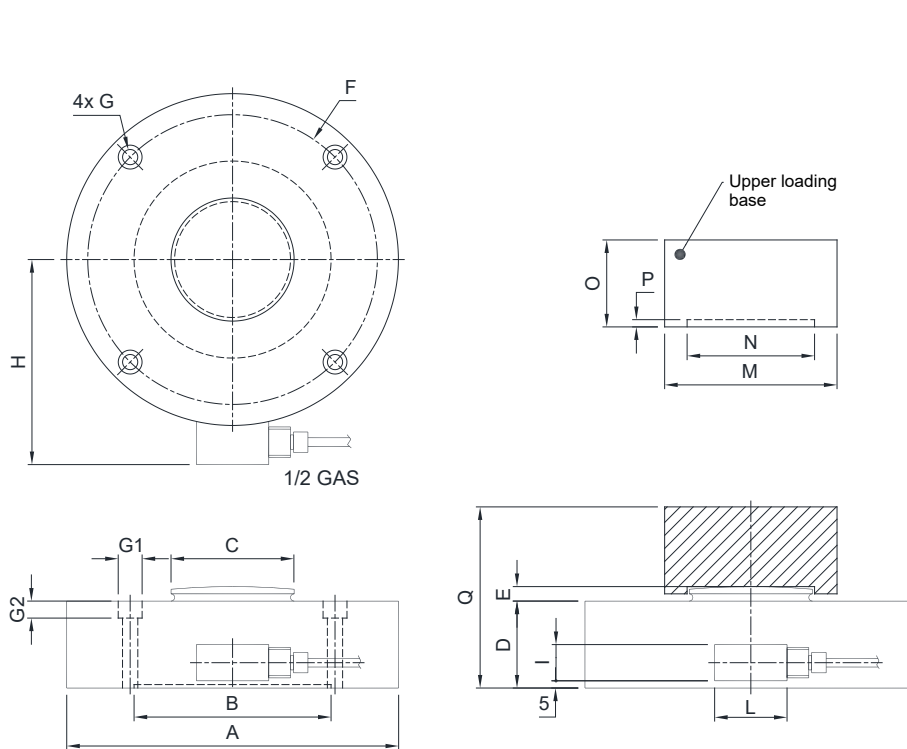


Two redundant strain gauges Wheatstone bridges (350  $\Omega$ ) with two output cables; for dual safety systems

### COMPLEMENTARY ACCESSORIES

	DESCRIPTION	CODE	
	Upper loading base.		
	Dimensions:	Maximum static load:	
	$\varnothing 119$ mm; h=60 mm	200000 kg	BOTTONE200
	$\varnothing 198$ mm; h=60 mm	300000 kg	BOTTONE
$\varnothing 198$ mm; h=89 mm	500000 - 750000 kg	BOTTONE750	

### DIMENSIONS (mm)



	200t	300t	500-750t
A	Ø229	Ø299	Ø299
B	Ø136.5	Ø228	Ø230
C	Ø87	Ø155	Ø155
D	60	73	106
E	10	12	14
F	Ø200	Ø260	Ø260
G	Ø10.5	Ø12.5	Ø12.5
G1	Ø16.5	Ø18.5	Ø18.5
G2	10.5	12.5	12.5
H	142±1	180±2	180±2
I	30	25	25
L	60	50	50
weight	20kg	42kg	60kg

	200t	300t	500-750t
M	Ø119	Ø198	Ø198
N	Ø88	Ø156	Ø158
O	60	60	89
P	5	5	9
Q	125	140	200

### TECHNICAL FEATURES

Material	17-4 PH stainless steel		
Nominal load (E max)	200000 - 300000 - 500000 - 750000 kg		
Combined error	≤ ±0.10%		
Protection rating	IP68		
Rated output	2 mV/V ±0.1%	Input resistance	700 Ω ±20
Temperature effect on zero	0.005% °C	Output resistance	700 Ω ±5
Temperature effect on span	0.005% °C	Zero balance	±1%
Compensated temperature range	-20 °C / +70 °C	Insulation resistance	>5000 MΩ
Operating temperature range	-30 °C / +90 °C	Safe overload (% of full scale)	150%
Creep at nominal load in 30 minutes	0.03%	Ultimate overload (% of full scale)	300%
Max supply voltage without damage	15 V	Deflection at nominal load	0.4 mm

### ELECTRICAL CONNECTIONS

Cable length	10 m
Cable diameter	5 mm
Cores	6 x 0.14 mm <sup>2</sup>

SHIELD	
+ SIGNAL	GREEN
+ EXCITATION + REF./SENSE	RED BLUE
- SIGNAL	WHITE
- EXCITATION - REF./SENSE	BLACK BROWN

The Company reserves the right to make changes to the technical data, drawings and images without notice.