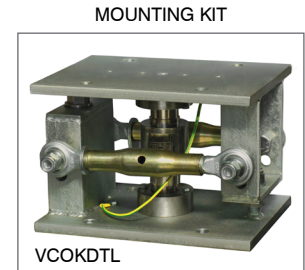




Capacity 30000 kg



- 17-4 PH STAINLESS STEEL
- COMBINED ERROR $\leq \pm 0.017\%$
- IP68 PROTECTION RATING

CAPACITY	kg	ACCURACY CLASS		NET WEIGHT (kg)
30000		C4		2.4

CERTIFICATIONS

- OIML R60 C4
- Complies with the Eurasian Customs Union regulations
- Equivalent of the CE marking for the United Kingdom

CERTIFICATIONS ON REQUEST

Calibration report

- ATEX (zone 2-22)

Complies with the Eurasian Customs Union regulations for use in potentially explosive atmospheres

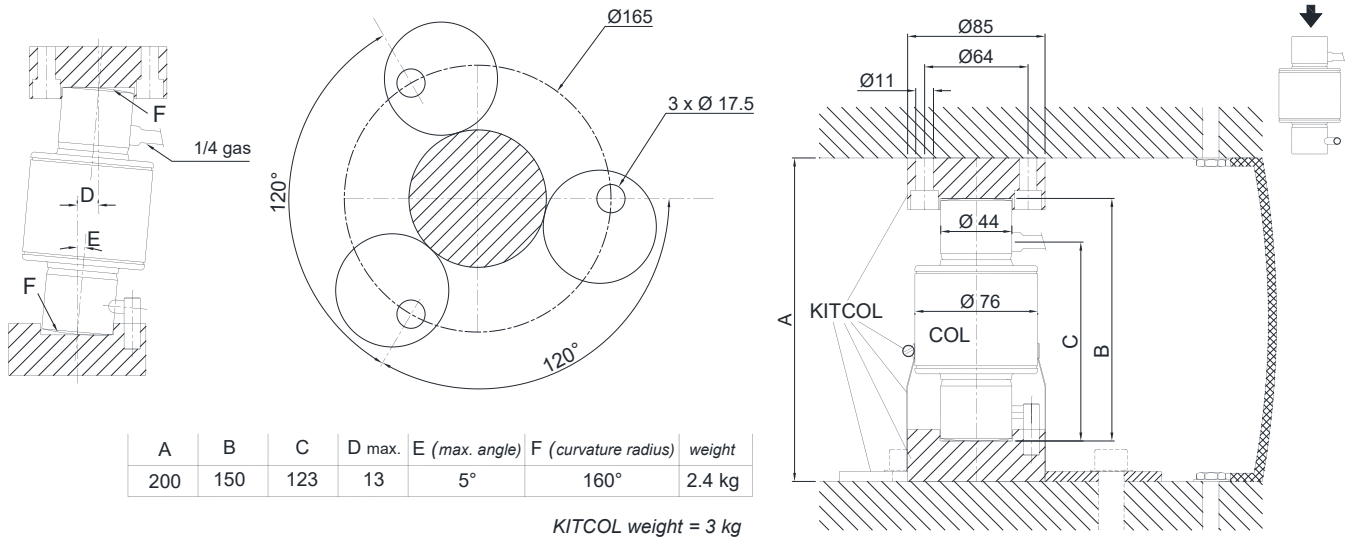
Complies with Chinese market regulations for use in potentially explosive atmospheres

Complies with the regulations of the Russian Federation for legal for trade use

COMPLEMENTARY ACCESSORIES

	DESCRIPTION	CODE
	Hardened AISI 420 stainless steel accessory composed by anti-rotation system, protective rubber seal, 2 bases (upper and lower) and 3 self-centering cylindrical plates.	KITCOL

DIMENSIONS (mm)



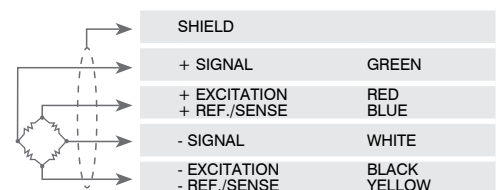
TECHNICAL FEATURES

Material	17-4 PH stainless steel		
OIML R60 Accuracy class • Verification intervals	C4 • 4000		
Nominal load (E max)	30000 kg		
Minimum verification interval (V min)	E max / 10000		
Combined error	≤ ±0.017%		
Protection rating	IP68		
Rated output	2 mV/V ±0.1% *	Input resistance	800 Ω ±30
Temperature effect on zero	0.002% °C	Output resistance	700 Ω ±10
Temperature effect on span	0.0012% °C	Zero balance	±2%
Compensated temperature range	-10 °C / +40 °C	Insulation resistance	≥5000 MΩ
Operating temperature range	-30 °C / +70 °C	Safe overload (% of full scale)	120%
Creep at nominal load in 30 minutes	0.016%	Ultimate overload (% of full scale)	200%
Max supply voltage without damage	15 V	Deflection at nominal load	0.6 - 1 mm

* Calibrated current output

ELECTRICAL CONNECTIONS

Cable length	20 m
Cable diameter	6 mm
Cores	6 x 0.22 mm ²



The Company reserves the right to make changes to the technical data, drawings and images without notice.