



Capacity 25000 kg



- 17-4 PH STAINLESS STEEL
- COMBINED ERROR $\leq \pm 0.017\%$
- IP68 PROTECTION RATING
- LIGHTNING PROTECTION

CAPACITY	kg	ACCURACY CLASS		NET WEIGHT (kg)
25000		C4		2.4
<input type="checkbox"/> ON REQUEST				

CERTIFICATIONS

- OIML R60 C4
- Complies with the Eurasian Customs Union regulations
- Equivalent of the CE marking for the United Kingdom

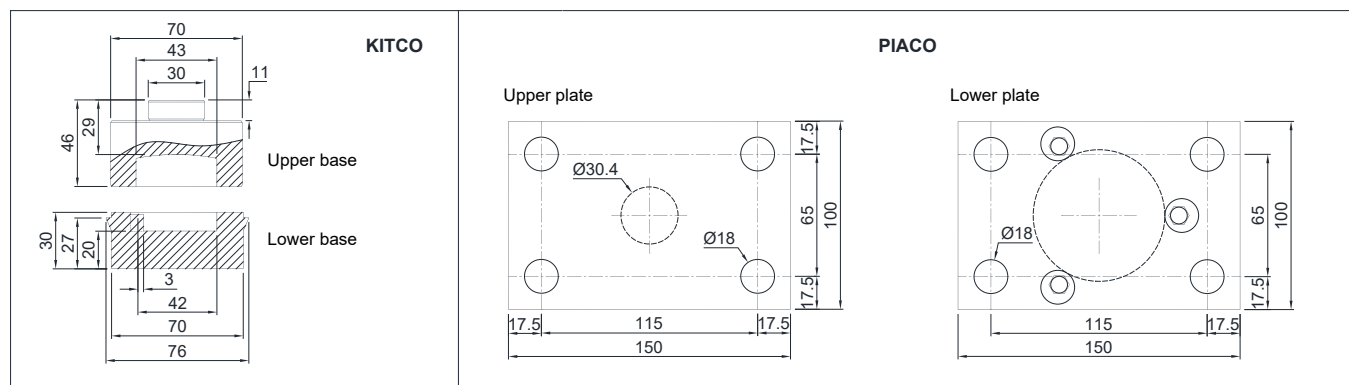
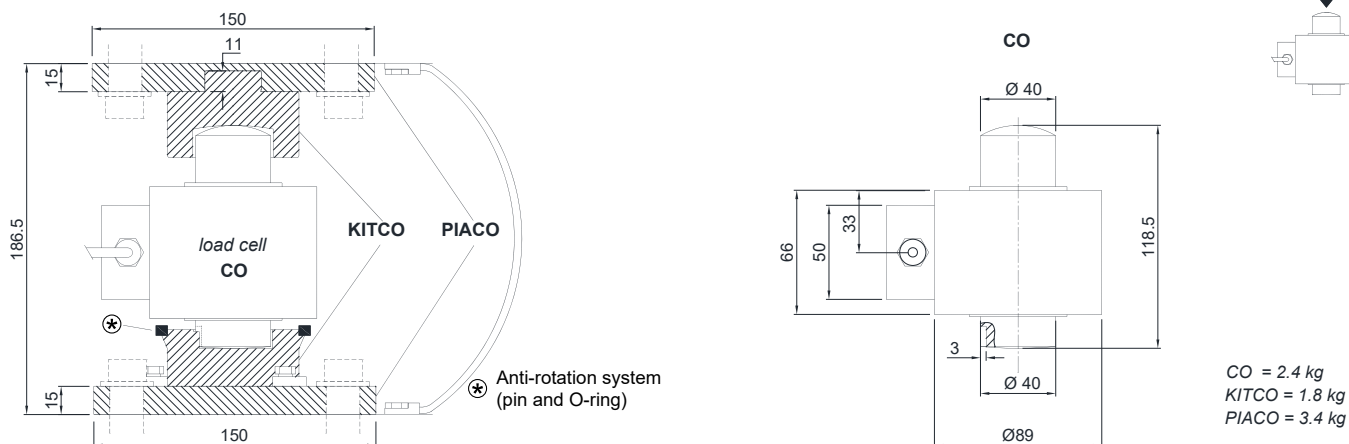
CERTIFICATIONS ON REQUEST

	Calibration report
	ATEX (zone 2-22)
	ATEX/IECEx (zone 1-21)
	Complies with the Eurasian Customs Union regulations for use in potentially explosive atmospheres
	FM HazLoc - Complies with the United States and Canada regulations for use in potentially explosive atmospheres
	Complies with Chinese market regulations for use in potentially explosive atmospheres
	Complies with the regulations of the Russian Federation for legal for trade use

COMPLEMENTARY ACCESSORIES

	DESCRIPTION	CODE
	Stainless steel accessory composed by anti-rotation system with O-ring and 2 bases (upper and lower).	KITCO
	Kit composed by 2 AISI 5140 nickel plated steel plates (upper and lower) for KITCO bases.	PIACO

DIMENSIONS (mm)



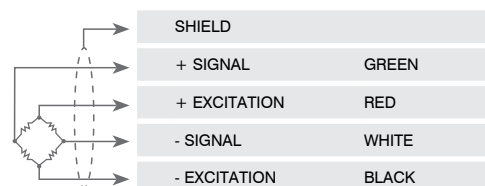
TECHNICAL FEATURES

Material	17-4 PH stainless steel		
OIML R60 Accuracy class • Verification intervals	C4 • 4000		
Nominal load (E max)	25000 kg		
Minimum verification interval (V min)	E max / 15000		
Combined error	≤ ±0.017%		
Protection rating	IP68		

Rated output	2 mV/V ±1%	Input resistance	700 Ω ±7
Temperature effect on zero	0.002% °C	Output resistance	700 Ω ±7
Temperature effect on span	0.002% °C	Zero balance	±1%
Compensated temperature range	-10 °C / +40 °C	Insulation resistance	≥5000 MΩ
Operating temperature range	-30 °C / +65 °C	Safe overload (% of full scale)	150%
Creep at nominal load in 30 minutes	0.02%	Ultimate overload (% of full scale)	300%
Max supply voltage without damage	18 V	Deflection at nominal load	0.6 - 1 mm

ELECTRICAL CONNECTIONS

Cable length	15 m
Cable diameter	5 mm
Cores	4 x 0.24 mm ²



The Company reserves the right to make changes to the technical data, drawings and images without notice.