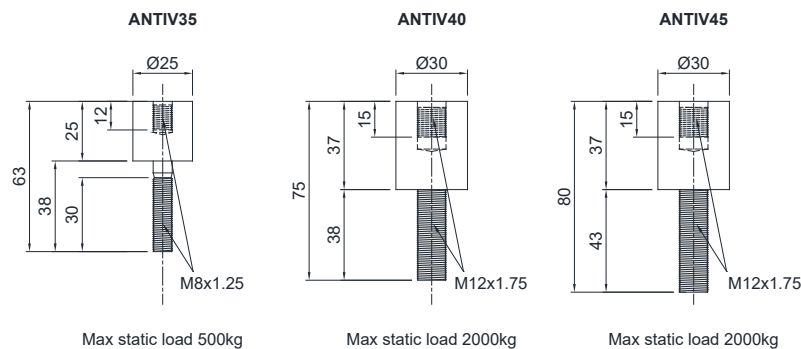


Up to 2000 kg application range



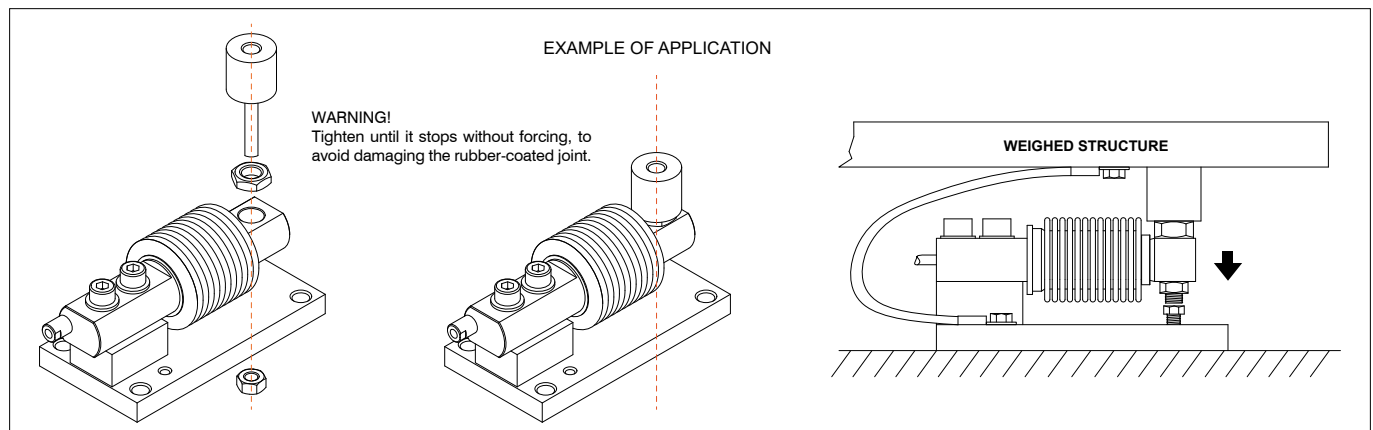
MAX STATIC LOAD	kg	FOR LOAD CELLS	DIMENSIONS	NET WEIGHT (kg)	CODE
500		FCOL - FCK	M8x1.25	0.04	ANTIV35
2000		FTKL - FCAL - FCAX - FTP FT-P - FTK - FTZ - CLS	M12x1.75	0.1	ANTIV40
2000		FCAL - FCAX	M12x1.75	0.1	ANTIV45

DIMENSIONS AND APPLICATION



DESCRIPTION

- Stainless steel and rubber compression joints to compensate for any misalignments of the support plates.
- Can be used for systems with at least 3 supports.



The Company reserves the right to make changes to the technical data, drawings and images without notice.