

Capacity from 500 kg to 200000 kg



- 17-4 PH STAINLESS STEEL
- SPOKE TYPE STRUCTURE
- COMBINED ERROR $\leq \pm 0.03\%$
- PROTECTION RATING: IP68 (500 - 30000 kg) - IP67 (60000 - 200000 kg)
- HIGH FATIGUE RESISTANCE: OVER 20 MILLION WORKING CYCLES

CAPACITY	kg	CONNECTION TYPE	NET WEIGHT (kg)
500		cable gland M8	-
1000		cable gland M8	-
2000		cable gland M8	-
		connector	-
5000		cable gland M8	-
		connector	-
10000		cable gland M8	-
		connector	-
20000		cable gland M8	-
		connector	-
30000		cable gland M8	-
		connector	-
60000		connector	-
100000		connector	-
200000		connector	-

CERTIFICATIONS



Equivalent of the CE marking for the United Kingdom

CERTIFICATIONS ON REQUEST

Calibration report

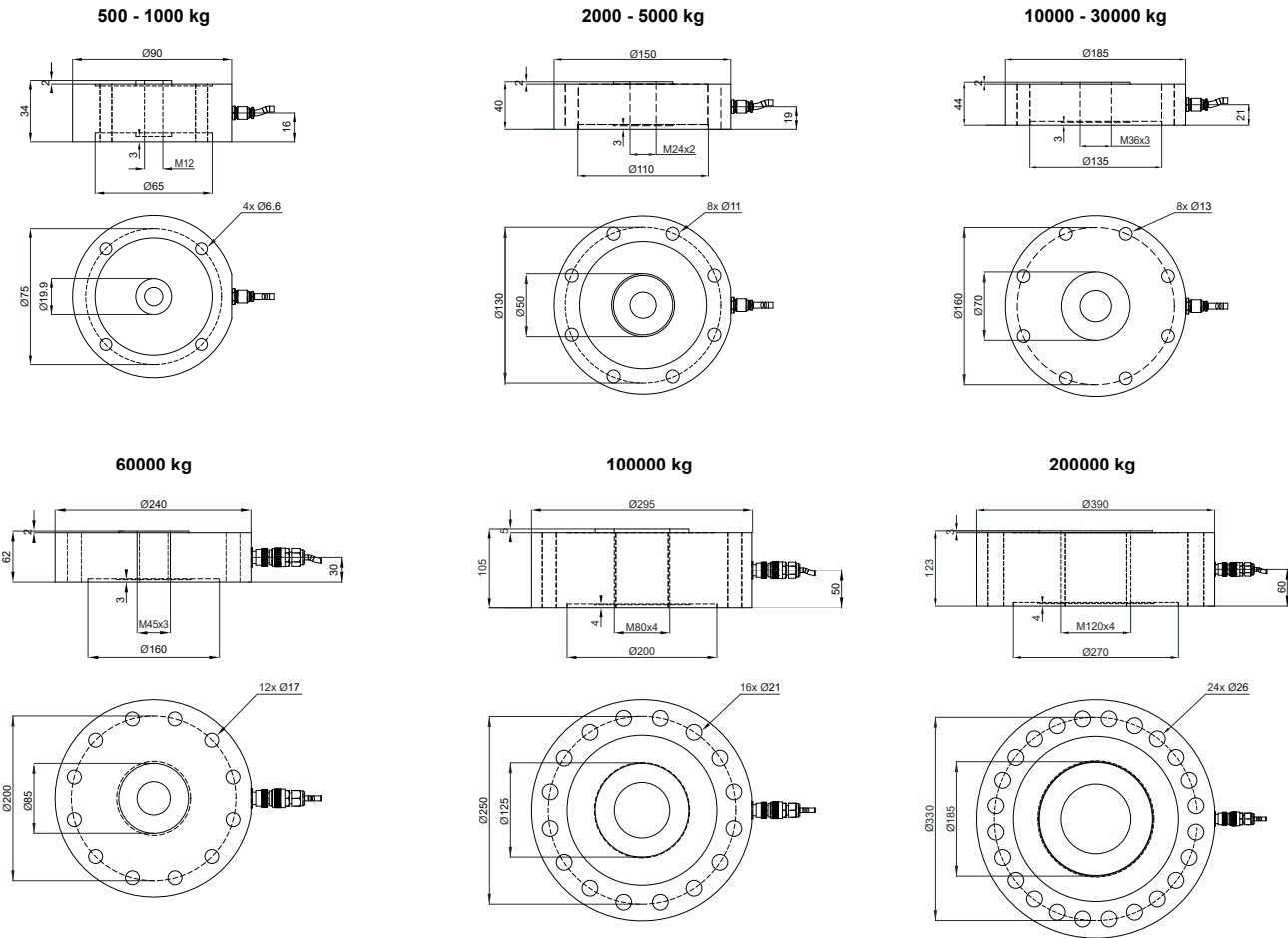


ATEX (zone 2-22)



ATEX/IECEx (zone 1-21)

DIMENSIONS (mm)



TECHNICAL FEATURES

Material	17-4 PH stainless steel		
Nominal load (E max)	500 - 1000 - 2000 - 5000 - 10000 - 20000 - 30000 - 60000 - 100000 - 200000 kg		
Combined error	≤ ±0.03%		
Protection rating	IP68 (500 - 30000 kg), IP67 (60000-200000 kg)		
Rated output	2 mV/V ±0.1%	Input resistance	700 Ω ±20
Temperature effect on zero	0.005% °C	Output resistance	700 Ω ±5
Temperature effect on span	0.005% °C	Zero balance	±1%
Compensated temperature range	-10 °C / +50 °C	Insulation resistance	>5000 MΩ
Operating temperature range	-20 °C / +70 °C	Safe overload (% of full scale)	150%
Creep at nominal load in 30 minutes	0.05%	Ultimate overload (% of full scale)	300%
Max supply voltage without damage	5 ÷ 15 VDC	Deflection at nominal load	0.35 mm

ELECTRICAL CONNECTIONS

Cable length	5 m
Cable diameter	5 mm
Cores	6 x 0.14 mm ²

