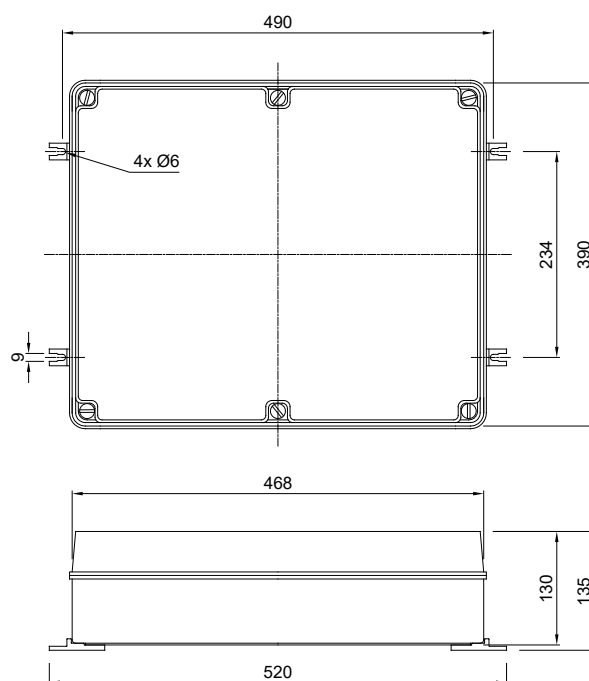




DESCRIPTION

- Remote display for connection to WR instruments, suitable for wall mounting.
- Semi-alphanumeric red LED display, two-line by 8-digit (57 mm height).
- Plastic box.
- IP56 protection rating.
- Serial ports for transmission protocol.
- Enables the operator to perform a guided manual batching: the first line indicates the formula's number and the gross weight; the second line indicates the product's number and the quantity to be batched, that decreases to zero during the product loading.

DIEMENSIONS



TECHNICAL FEATURES

| | |
|------------------------------|---|
| Power supply and consumption | 12÷24 VDC; 30 W |
| Serial ports | RS232, RS422 |
| Baud rate | 1200, 2400, 4800, 9600, 19200, 38400, 57600 (bit/s) |
| Humidity (condensate free) | 85% |
| Storage temperature | -20 °C ÷ +50 °C |
| Working temperature | -10 °C ÷ +40 °C |

CERTIFICATIONS



Equivalent of the CE marking for the United Kingdom



| CODE | RIPLED5100 | RIP550SHA | RIPDOSMANHA |
|------------------------------|---|---|---|
| Power supply and consumption | 12÷24 VDC; 20 W | 12÷24 VDC; 10 W | 12÷24 VDC; 30 W |
| Serial ports | RS232/RS422 | RS232/RS485 | RS232/RS422 |
| Dimensions | 468x390x130 mm | 310x230x130 mm | 468x390x130 mm |
| Baud rate | 1200, 2400, 4800, 9600, 19200, 38400, 57600 (bit/s) | 1200, 2400, 4800, 9600, 19200, 38400, 57600 (bit/s) | 1200, 2400, 4800, 9600, 19200, 38400, 57600 (bit/s) |
| Humidity (condensate free) | 85% | 85% | 85% |
| Storage temperature | -20 °C ÷ +50 °C | -20 °C ÷ +50 °C | -20 °C ÷ +50 °C |
| Working temperature | -10 °C ÷ +40 °C | -10 °C ÷ +40 °C | -10 °C ÷ +40 °C |
| Protection rating | IP56 | IP56 | IP56 |



| CODE | RIP6100IP65 | RIP6100N |
|------------------------------|---------------------|-------------------|
| Power supply and consumption | 110÷240 VAC; <10 VA | 12 VDC; 1.5 A |
| Serial ports | RS232/RS485 | RS232/RS485 |
| Dimensions | 745x160x50 mm | 712x208.5x46.5 mm |
| Baud rate | 9600 (bit/s) | 9600 (bit/s) |
| Humidity (condensate free) | 85% | 80% |
| Storage temperature | -20 °C ÷ +60 °C | -10 °C ÷ +60 °C |
| Working temperature | -10 °C ÷ +50 °C | -10 °C ÷ +50 °C |
| Protection rating | IP65 | IP30 |