



Capacity from 75 kg to 10000 kg



- 17-4 PH STAINLESS STEEL
- COMBINED ERROR $\leq \pm 0.07\%$
- IP67 PROTECTION RATING
- ADJUSTABLE HEIGHT

EXAMPLE OF INSTALLATION WITH STR AND SB2 SERIES FEET



CAPACITY	kg	THREAD	NET WEIGHT (kg)
	75	M12x1.75	1.70
	150	M12x1.75	1.70
	300	M12x1.75	1.70
	500	M12x1.75	1.70
	1000	M12x1.75	1.40
	2000	M12x1.75	1.70
	5000	M20x2.5	1.80
	10000	M24x3	1.70

Foot not included.

CERTIFICATIONS



Equivalent of the CE marking for the United Kingdom

CERTIFICATIONS ON REQUEST

Calibration report

LAT Accredia calibration certificate ISO 376 or ASTM E74 for capacities from 1000 kg to 10000 kg

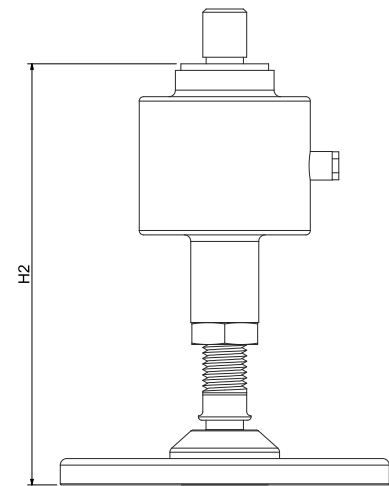
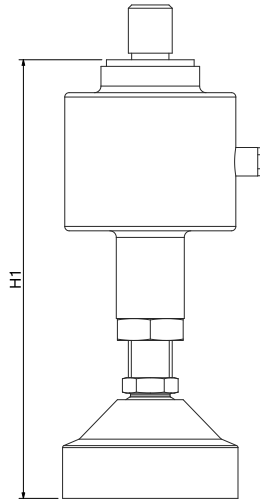
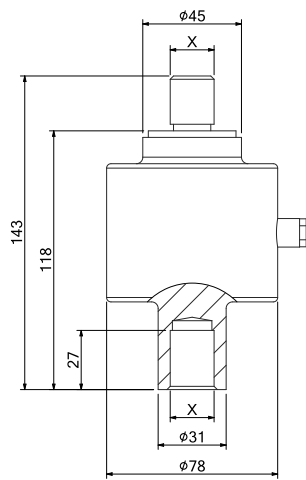


ATEX (zone 2-22)

COMPLEMENTARY ACCESSORIES

	DESCRIPTION	CODE
	AISI 304 stainless steel plate for constraints against lateral forces and anti-tilt.	M12 PPV
	Only for SB2 series feet.	M20 PPV80

DIMENSIONS AND TECHNICAL SPECIFICATIONS



CAPACITY	X	H1 (FLC+SB2)	H2 (FLC+STR)
75 kg	M12x1.75	190÷200 mm	182÷192 mm
150 kg	M12x1.75		
300 kg	M12x1.75		
500 kg	M12x1.75		
1000 kg	M12x1.75		
2000 kg	M12x1.75		
5000 kg	M20x2.5	-	-
10000 kg	M24x3		

Installation notes:

- screw the foot all the way in;
- slightly unscrew the foot to adjust (maximum excursion: 10 mm);
- tighten the fixing nut.

For further information see the STR and SB2 data sheets

TECHNICAL FEATURES

Material	17-4 PH stainless steel		
Nominal load	75 - 150 - 300 - 500 - 1000 - 2000 - 5000 - 10000 kg		
Combined error	≤ ±0.07%		
Protection rating	IP67		
Rated output	2.0 mV/V ±5%	Input resistance	350 Ω ±20
Temperature effect on zero	0.002% °C	Output resistance	350 Ω ±5
Temperature effect on span	0.002% °C	Zero balance	±1%
Compensated temperature range	-10 °C / +50 °C	Insulation resistance	>5000 MΩ
Operating temperature range	-20 °C / +60 °C	Safe overload (% of full scale)	120%
Creep at nominal load in 30 minutes	0.02%	Ultimate overload (% of full scale)	200%
Max supply voltage without damage	20 VDC	Deflection at nominal load	0.1 mm

ELECTRICAL CONNECTIONS

Cable length	5 m (75-5000 kg); 10 m (10000 kg)
Cable diameter	5 mm
Cores	6 x 0.20 mm ²

SHIELD	
+ SIGNAL	GREEN
+ EXCITATION / + REF./SENSE	RED BLUE
- SIGNAL	WHITE
- EXCITATION / - REF./SENSE	BLACK YELLOW

The Company reserves the right to make changes to the technical data, drawings and images without notice.