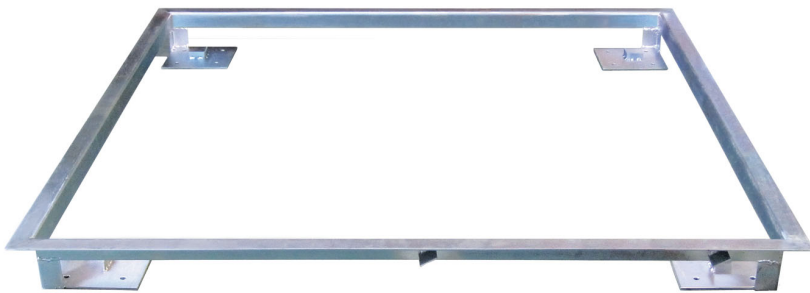
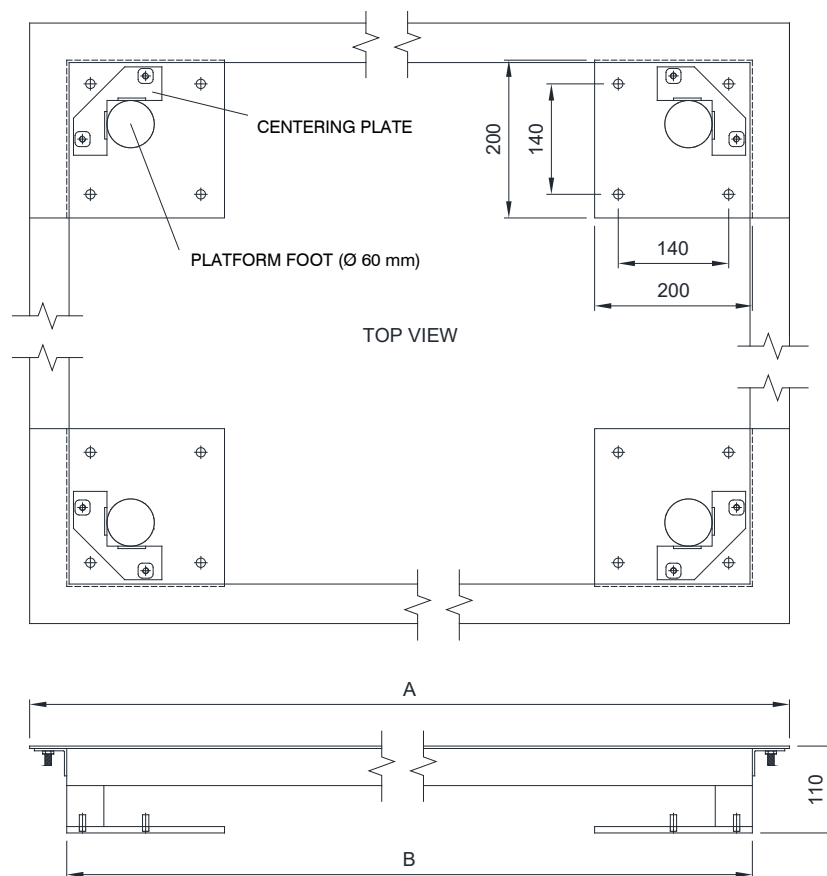


ASSEMBLY AND POSITIONING FOR PLATFORMS WITH PIT FRAME

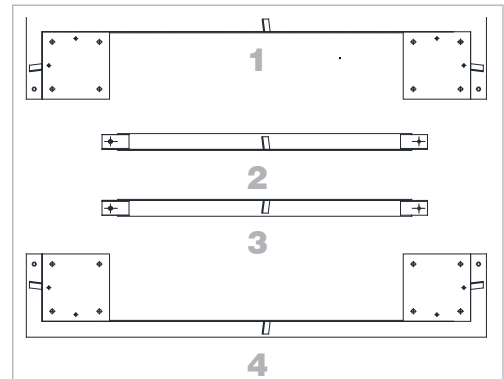


1. Move outside the 4 centering plates of the pit frame.
2. Insert the platform.
3. Remove the inspectable corners of the platform to access the feet and level the platform to the pit frame. Tighten the feet with the locknut.
4. Center the platform with respect to the frame by levering with a screwdriver on the top edge of the frame.
5. Secure the platform to the pit frame, pushing the centering plates against the platform feet and tighten the self-locking nut with a 13 mm tubular socket wrench.
6. Replace the 4 inspectable corners of the platform in their initial position.

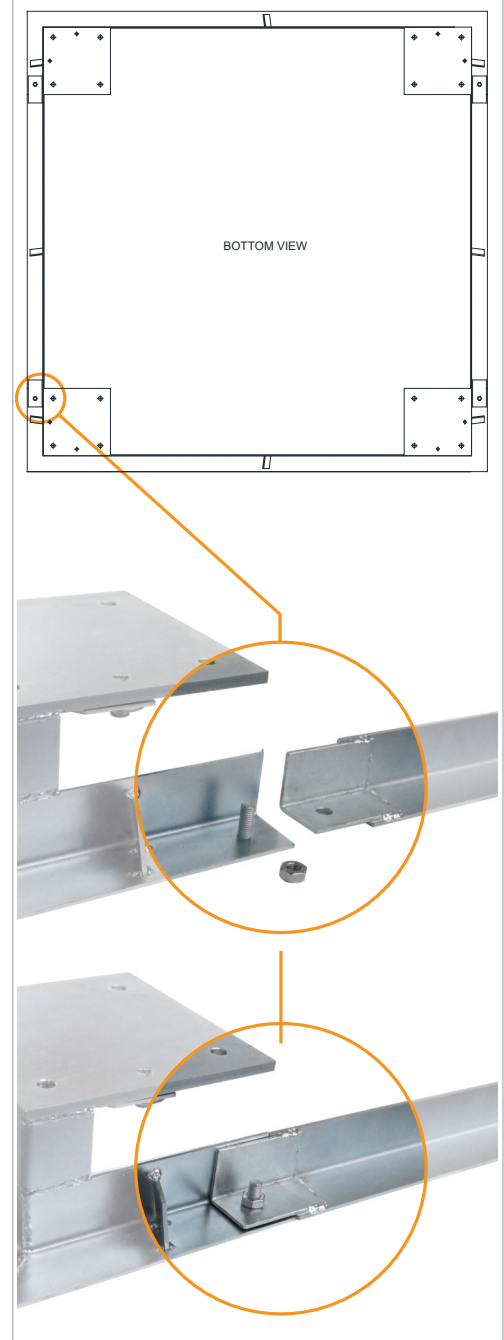
DIMENSIONS (mm)



A	B
916 x 916	822 x 822
1116 x 1116	1022 x 1022
1366 x 1366	1272 x 1272
1316 x 1616	1222 x 1522
1616 x 1616	1522 x 1522



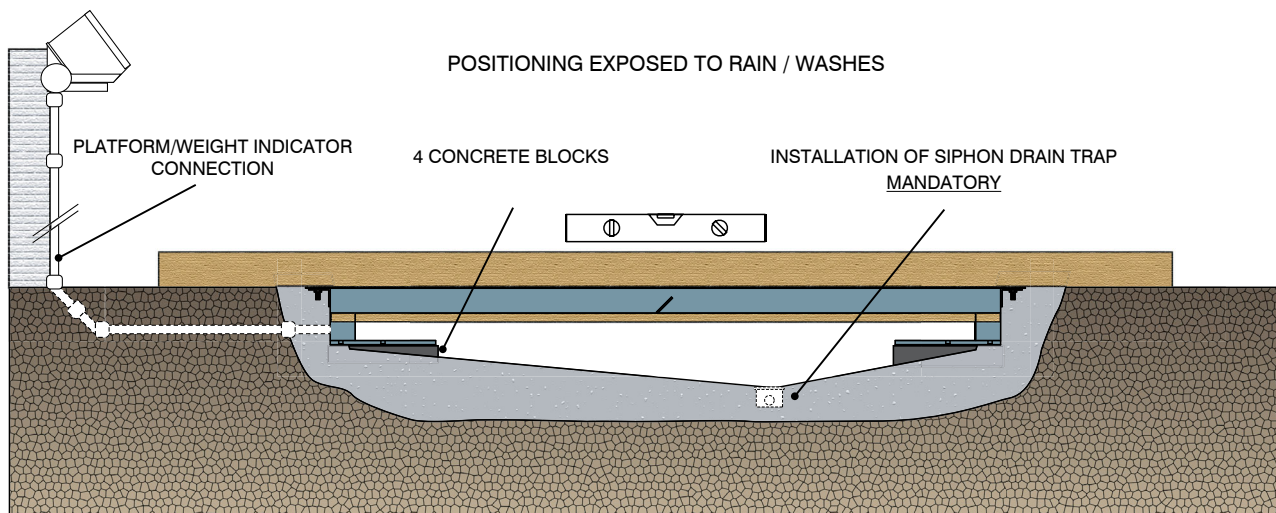
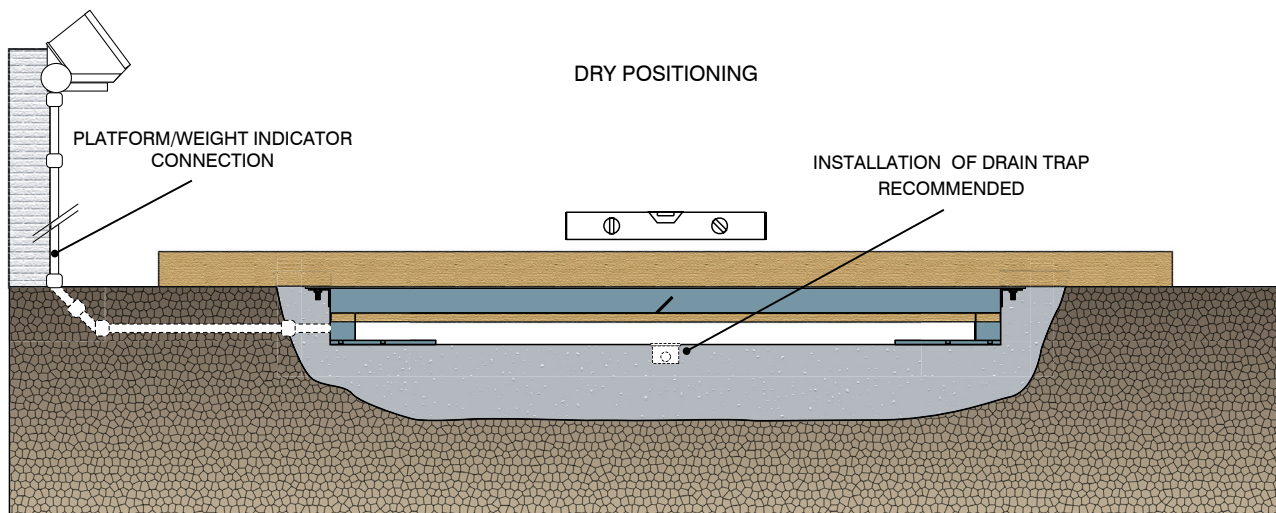
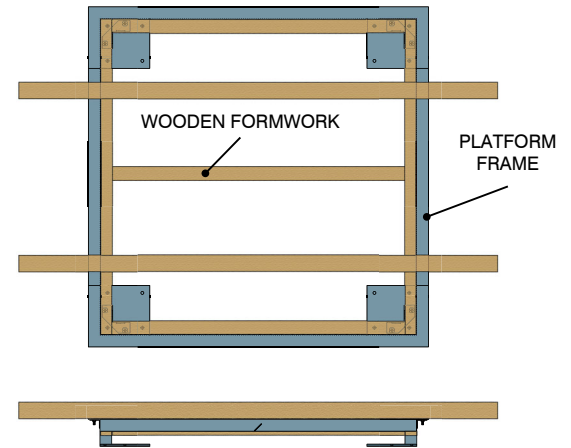
Assembly by the customer



ASSEMBLY AND POSITIONING FOR PLATFORMS WITH PIT FRAME

1. Dig a rough pit based on the size of the frame.
2. Prepare the electrical connection from the platform to the weight indicator with a Ø50 mm wireway and 45° fittings for the signal output cable to the weight indicator.
3. Make a custom-made wooden formwork for the frame.
4. Place the frame with the formwork inside the pit keeping the frame suspended from the bottom of the pit.
5. Level the frame.
6. Proceed with the concrete casting, checking again the positioning of the frame.
7. In the case of positioning exposed to rain / washes, proceed at first to lay the concrete base creating a slope without supporting the feet of the frame. After drying the concrete, make 4 planar concrete blocks under the relative supporting feet of the frame.

EXCAVATION ROUGH PIT - Proportions for excavation
 Platform dimensions: 1500x1500xh90 mm
 Pit frame dimensions: 1616x1616xh110 mm
 Rough pit dimensions: 2000x2000xh200 mm
 Use the same proportion for other platform / frame sizes.



The Company reserves the right to make changes to the technical data, drawings and images without notice.